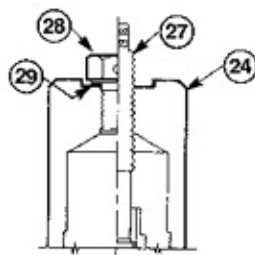
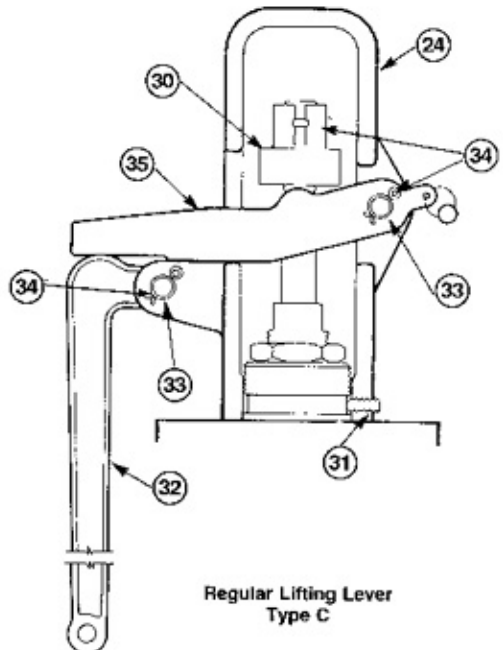


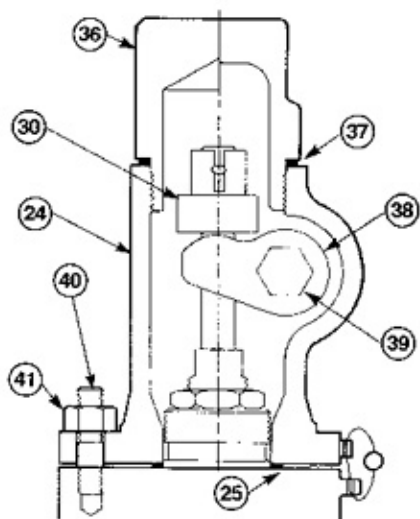
REF NO.	ORIFICE		M		N		P		Q		R		T	
	PRESSURE/TEMPERATURE CLASS		4/5-6		1-4/5-6		1-4/5-6		1-4/5-6		1-4/5-6		1-4/5-6	
	DESCRIPTION	REMARKS	PART #	QTY	PART #	QTY	PART #	QTY	PART #	QTY	PART #	QTY	PART #	QTY
24	Cap	Type B	104163	1	104163	1	104163	1	104163	1	104163	1	104163	1
		Type C	103042	1	103042	1	103042	1	103042	1	103042	1	103042	1
		Type D	104167	1	104167	1	104167	1	104167	1	104167	1	104167	1
		Type E	104167	1	104167	1	104167	1	104167	1	104167	1	104167	1
25	Cap Gasket		102776	1	102776	1	102776	1	102776	1	102776	1	102776	1
	Gasket Kit	Complete Set	108314	1	108314	1	108315	1	108316	1	108317	1	108318	1
27	Test Rod	B&E Only	103041	1	103041	1	103041	1	103041	1	103041	1	103041	1
28	Cap Plug	B&E Only	103039	1	103039	1	103039	1	103039	1	103039	1	103039	1
29	Cap Plug Gasket	B&E Only	103040	1	103040	1	103040	1	103040	1	103040	1	103040	1
30	Spindle Nut	C, D&E	103132	1	103132	1	103132*	1	103043	1	103043	1	103043	1
30A	Spindle Nut Cotter	C, D&E	082507	1	082507	1	082507	1	082507	1	082507	1	082507	1
31	Cap Screw	Type C	054944	4	054944	4	054944	4	054944	4	054944	4	054944	4
		Type D&E												
32	Lever	Type C	034357	1	034357	1	034357	1	034357	1	034357	1	034357	1
		Type D	103053	1	103054**	1	103054**	1	103054**	1	103054**	1	103054**	1
		Type D&E												
33	Pin	Type C	103045	2	103045	2	103045	2	103045	2	103045	2	103045	2
34	Cotter Pin	Type C	008138	2	008138	2	008138	2	008138	2	008138	2	008138	2
35	Forked Lever	Type C	103044	1	103044	1	103044	1	103044	1	103044	1	103044	1
36	Cap Top	Type D	103055	1	103055	1	103055	1	103055	1	103055	1	103055	1
		Type E	103056	1	103056	1	103056	1	103056	1	103056	1	103056	1
37	Cap Top Gasket		103057	1	103057	1	103057	1	103057	1	103057	1	103057	1
38	Dog	D&E Only	103049	1	103049	1	103049	1	103049	1	103049	1	103049	1
39	Dog Shaft	D&E Only	103050	1	103050	1	103050	1	103050	1	103050	1	103050	1
40	Cap Stud	D&E Only	102728	6	102728	6	102728	6	102728	6	102728	6	102728	6
41	Cap Stud Nut	D&E Only	002387	6	002387	6	002387	6	002387	6	002387	6	002387	6



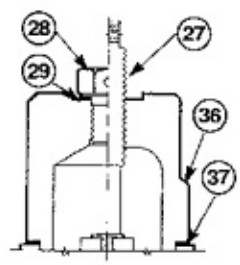
Screwed Cap and Test Rod
Type B



Regular Lifting Lever
Type C



Packed Lifting Lever
Type D



Packed Lifting Lever and Test Rod
Type E